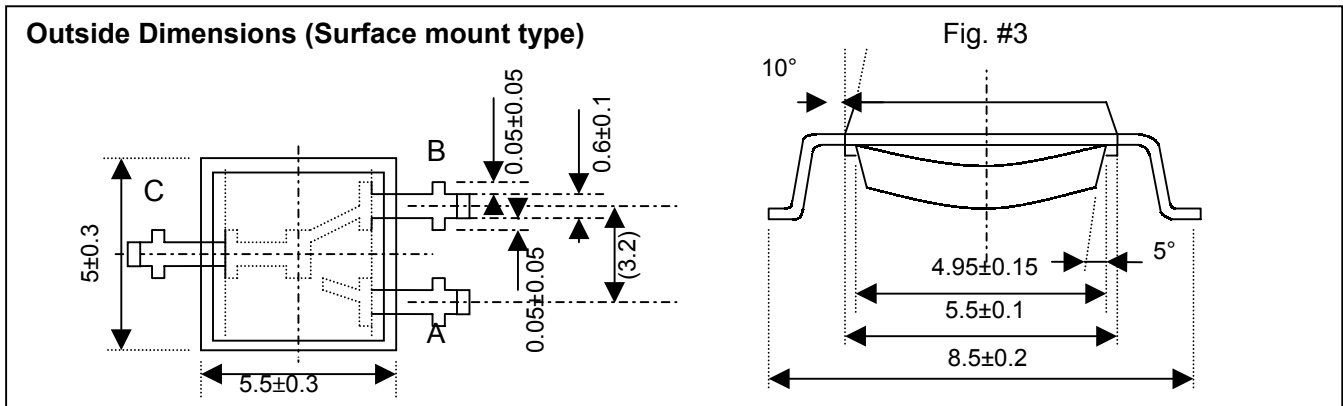
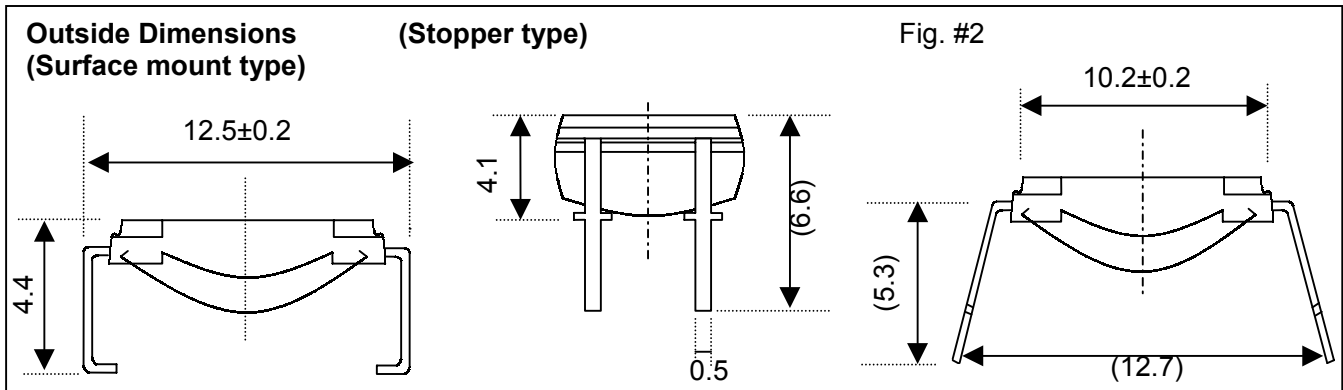
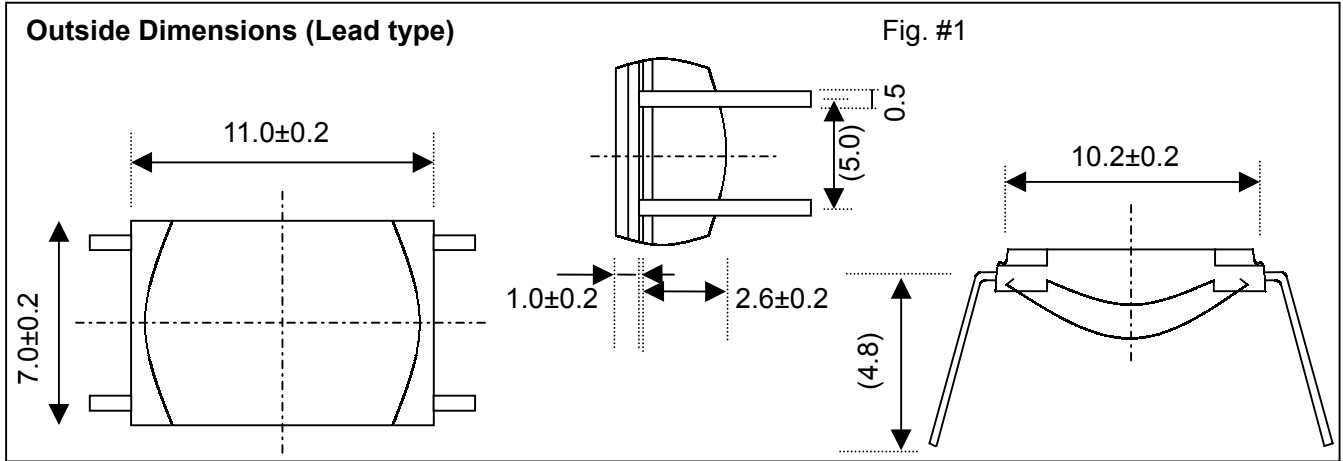


SPECIFICATION

INFRARED LED

Model	Radiant Intensity	Full Beam Angle	Wave Length λ (Tip.)	$\Delta\lambda$	Cutoff Frequency	Luminous Output at 50mA	Forward Volt. Vf			Fig. #
							Typ.	Max	If	
RL881012	330	9	880	48	8-12	8.5	1.4	1.8	50	1 or 2
RL881030	300	12	875	48	20-30	15	1.45	1.70	50	1 or 2
RL881030SP	330	9	875	48	20-30	15	1.45	1.70	50	1 or 2
RL880530	170	15	875	48	20-30	15	1.45	1.70	50	3
Unit	mW/sr	Deg.	nm	Δ nm	MHz	mW	V	V	mA	-



PEC Lamp USA Corp.
 23935 Madison St. PO Box 1216 Torrance CA 90505
 Tel 800-211-5483 Fax 310-378-3236 Email info@peclamp.com
<http://www.peclamp.com>