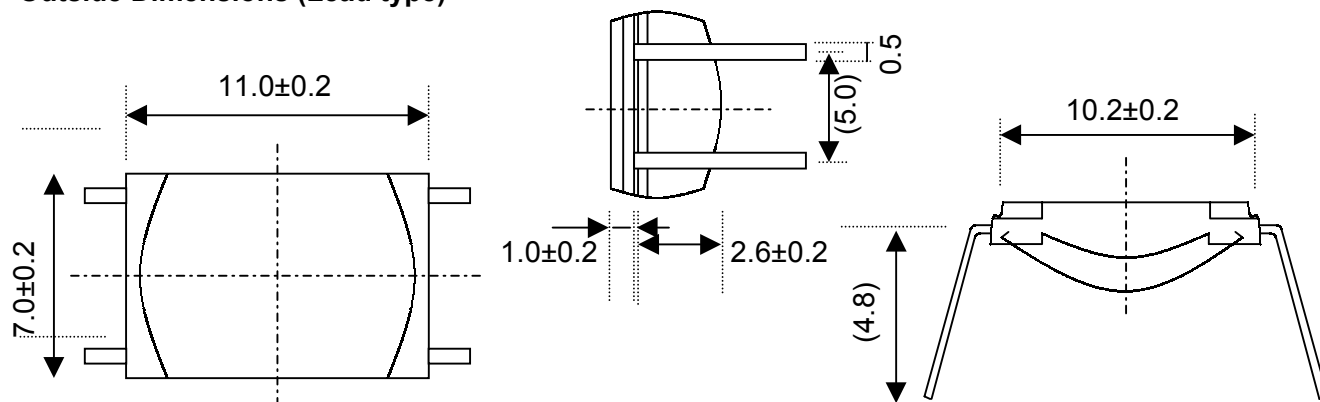


**SPECIFICATION**

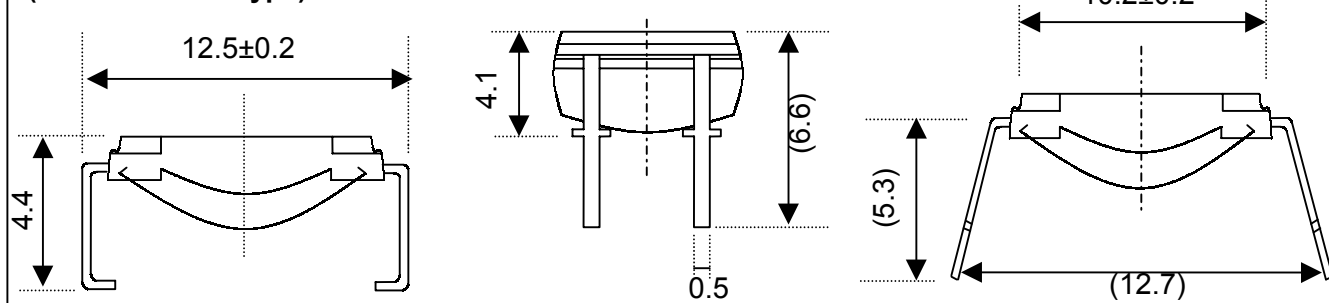
**VISIBLE LED**

Model	Forward Volt. Vf				Reverse Volt.		Wave length $\lambda$ (Tip.)	$\Delta\lambda$	Luminous Intensity			Full Beam Angle
	Color	Typ.	Max.	If	Ir	Vr			Min.	Typ.	If	
DHR7010	Pinky Red	1.7	2.1	20	10	5	700	22	1000	1200	20	9
DHR6610	Red	1.8	1.9	20	0.1	4	660	15	4500	7500	20	8
SIPR6310	Red	2.1	2.6	20	0.1	5	630	22	7000	11000	20	8
SIPR6210	Reddish Orange	2.1	2.6	20	0.1	5	620	22	15000	20000	20	8
SIPO6110	Amber	2.4	2.6	20	0.1	5	615	17	9000	15000	20	8
SIPY5910	Yellow	2.0	2.4	20	0.1	5	590	15	10000	13000	20	8
SBYG5710	Light Green	2.1	2.5	20	0.1	4	570	25	1000	2000	20	6
GNG5310	Green	3.2	3.8	20	10	5	530	25	20000	29000	20	8
GNB4710	Blue	3.3	3.8	20	10	5	470	25	3000	4200	20	8
Unit		V	V	mA	$\mu$ A	V	nm	nm	mcd	mcd	mA	Deg.

**Outside Dimensions (Lead type)**



**Outside Dimensions (Surface mount type)**



PEC Lamp USA Corp.  
 23935 Madison St. PO Box 1216 Torrance CA 90505  
 Tel 800-211-5483 Fax 310-378-3236 Email [info@peclamp.com](mailto:info@peclamp.com)  
<http://www.peclamp.com>